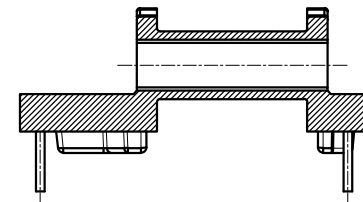
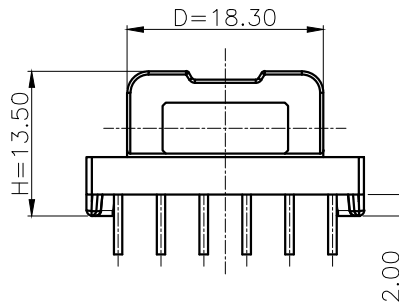
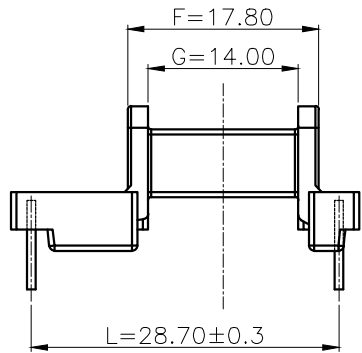
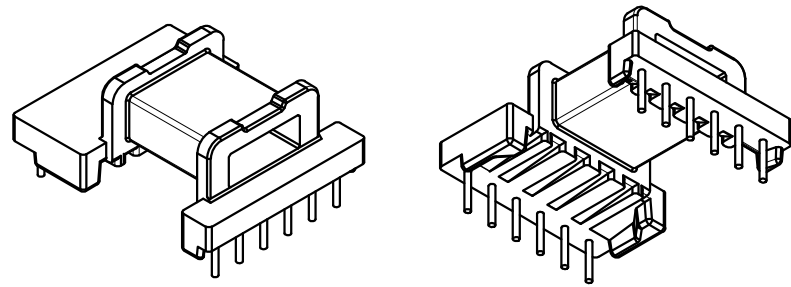
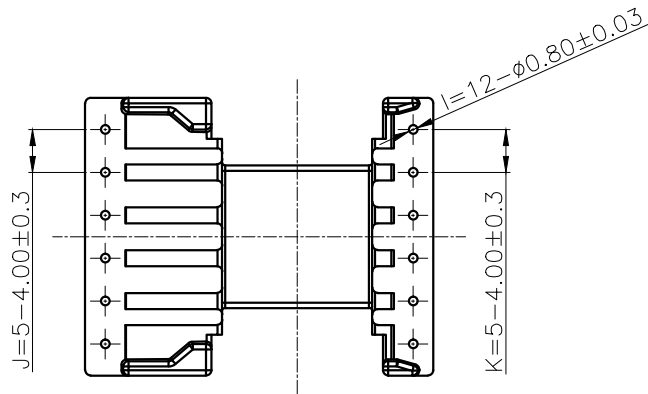


SECTION B-B



SECTION A-A



▲							
▲							
▲							
MARK		REVISION NOTE		DATE		DRAWN CHECKED APPROVED	
DRAWN		CHECKED		APPROVED		MATERIAL : PHENOL	
Sang Han, Kim		Hyung Seok, Lee		Chul, Park		UL REC. : UL94V-0	
DATE : 2010.12.01		THIRD ANGLE PROJ.		SCALE : 1/1		TOLERANCE : ±0.2 (Unless otherwise specified)	
DATE : 2010.12.01		TOLERANCE : ±0.2 (Unless otherwise specified)		UNIT : m/m		DWC NO	
DAE HEUNG BOBBIN CO., LTD		TITLE		EFD 25*25 (12P) "H" (B)		DH-000000-0000-00	